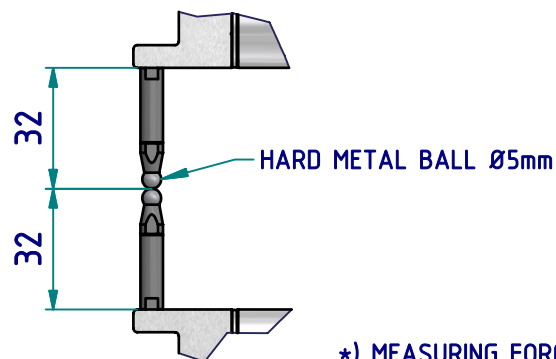


A ( 1 : 2 )



B ( 1 : 2 )



SUBJECT TO TECHNICAL ALTERATIONS

\*) MEASURING FORCE IF THE GAUGE IS HELD  
IN MEASURING POSITION AS SHOWN ABOVE

**type:** Modul 2  
**range:** 0-100mm  
**range of indication:**  
**digital step:**  
**scale interval:** 0,1mm  
**measuring force:** 1,5- 2,5 N \*)  
**weight:** 1,5 kg

acceptable deviations  
VDI/VDE/DGQ 2618 Bl. 12.1/13.1)  
**max. permissible**  
**errors "G":** 0,30 mm  
**repeatability "r":** 0,15 mm  
**reference temperature:** 20° C  
**operation temperature:** 10° C - 30° C  
**storage temperature:** -10° C - 50° C

**scale:** 1:5 (1:2)  
**drawing-nr.:** IDW-OD60100-DBe  
**date of issue:** 01.06.2011  
**name:** Kröckel  
**revision status:**  
**revision date:**